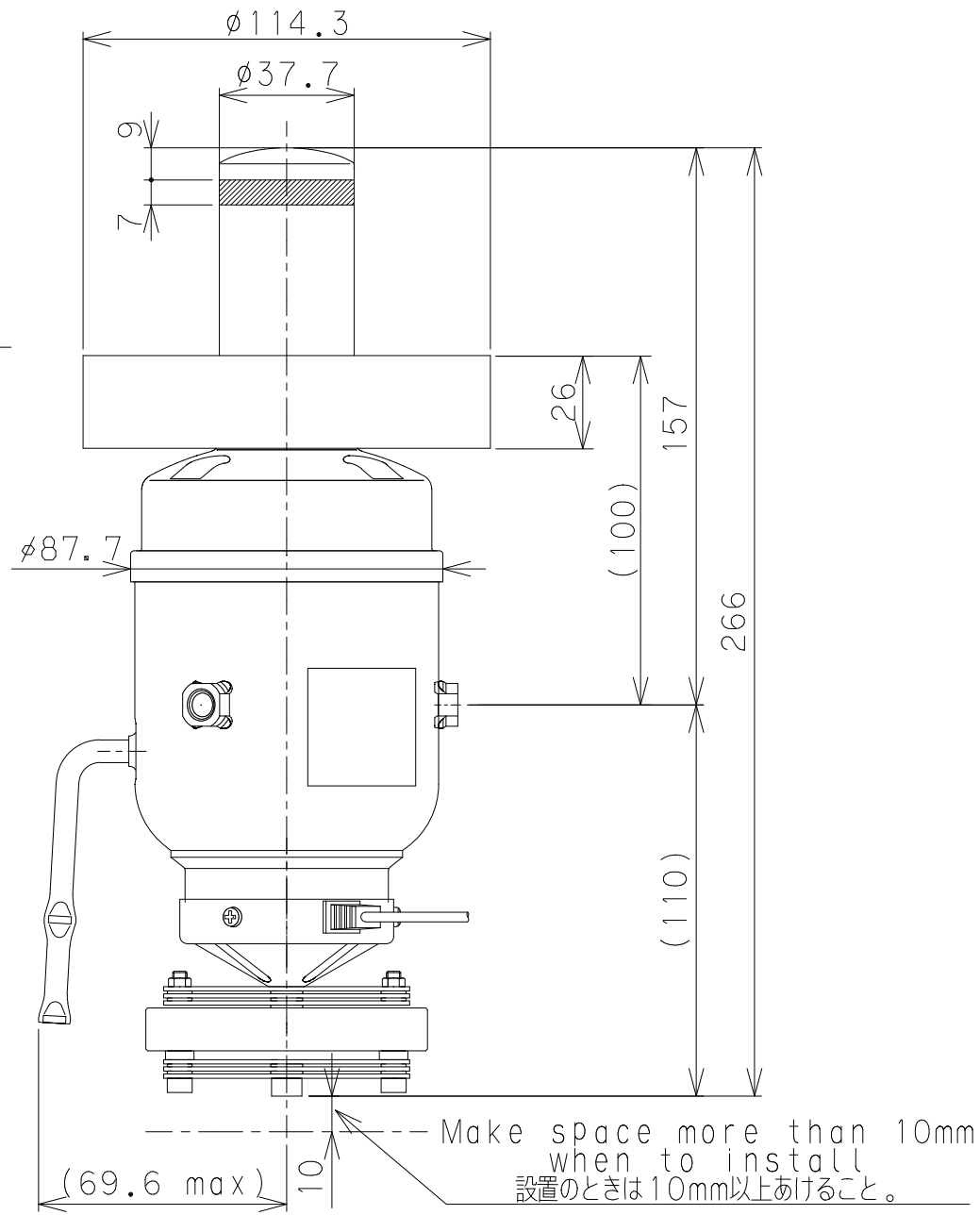
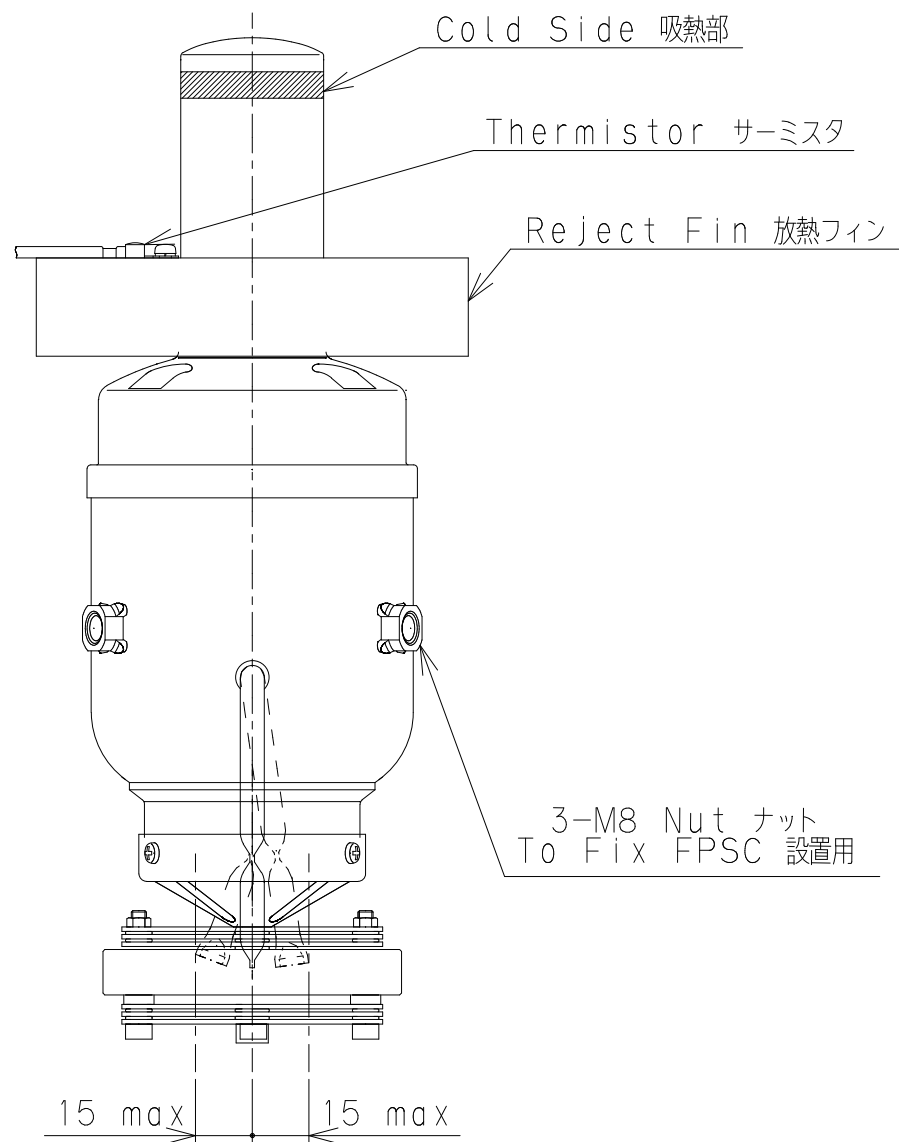


FPSC



PCB

